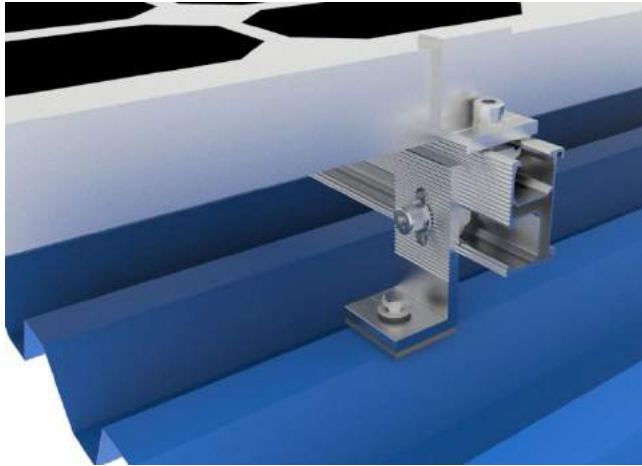


L Foot Mount



L Foot mount have been widely used on universal corrugated metal sheet roof. It also can fix to the roof rafter directly.

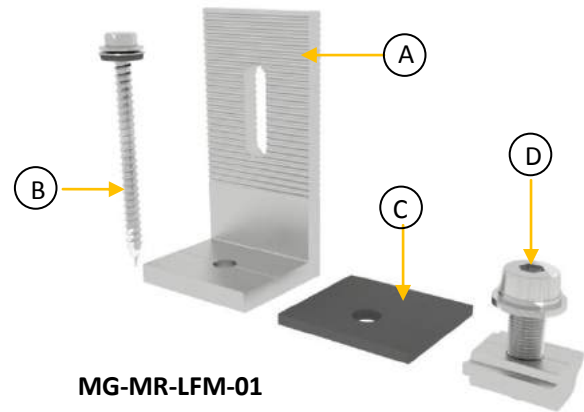
Plus, it can be applied with all kinds of hanger bolt and roof clamps.

Features

1. Simple and cost-effective installation
2. Material: Aluminum 6005-T5 & SUS 304
3. Waterproof rubber gasket integrated
4. Apply for many kinds of metal roof

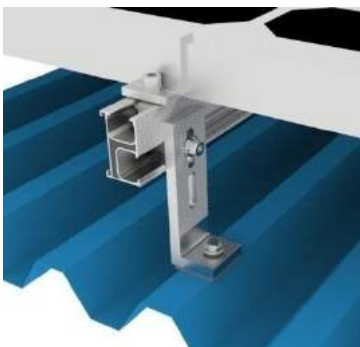
Components List

| Components | Quantity |
|--|----------|
| A. L Foot Mount | 1 |
| B. M6.3x80mm wood screw | 1 |
| C. Rubber Gasket | 1 |
| D. M8X25 SUS 304 bolt& rail nut & SUS washer | 1 |



MG-MR-LFM-01

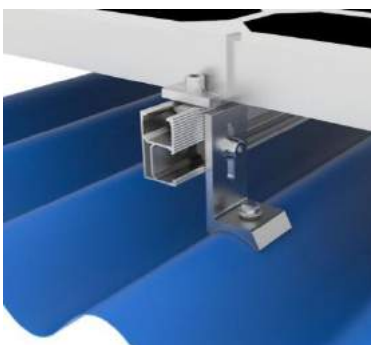
Specification



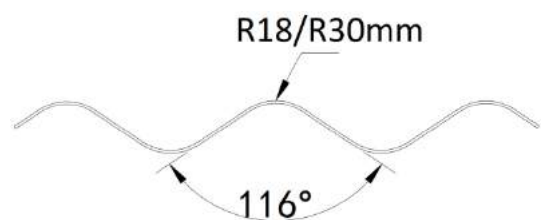
MG-MR-LFM-02



MG-MR-LFM-03



MG-MR-LFM-04



Hanger Bolt Mount



MG-MR-HB

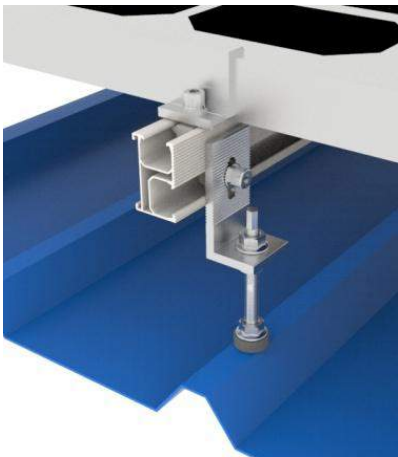
MG-MR-HB-S

Hanger Bolt apply to install on both wooden rafter and steel purlin. Both types can be applied with L Foot and plate. There are three sizes most common use, M10x200mm, M12x200mm and M12x300mm Hanger bolt.

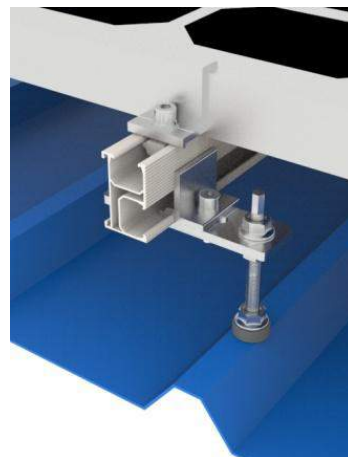
Features

1. Fast and simple installation
2. Made of SUS 304
3. Highly corrosion resistant surface treatment
4. Waterproof EPDM rubber integrated
5. Wooden rafter and steel purlin options

Hanger Bolt Mount Series

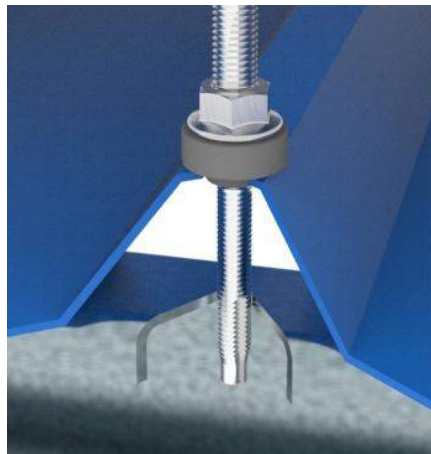


MG-MR-HB-01



MG-MR-HB-02

Application



MG-MR-HB-S-01